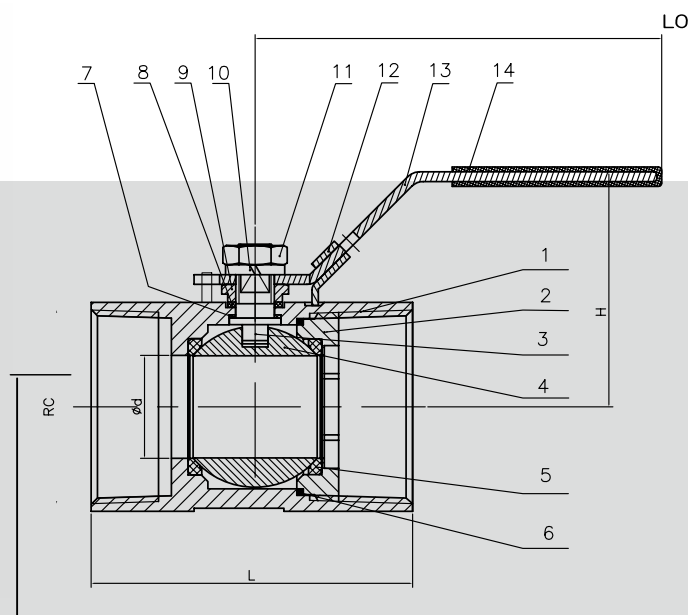


HUANDE STEEL VALVE



V-1

1 Piece Internal Threaded Ball Valve



- ⊙ Reduced bore
 - ⊙ Threaded ends: DIN259/2999
JIS 130202/1302203 Internal entry
blow-out proof stem Material: CF8M
CF8 CF3M WCB
 - ⊙ Pressure rating: 1000PSI WOG
 - ⊙ Pressure test: API 598
- Lever handl

14	V1-BT	Handle sleeve	Rubber	1
13	V1-BS	Handle	304	1
12	V1-XS	Stopper	304	1
11	GB6172-86	Nut	304	1
10	GB93-87	Spring washer	304	1
9	V1-JLM	Nut	304	1
8	V1-TL	Stem packing	PTFE	1
7	V1-ZTD	Thrust washer	PTFE	1
6	v1-VIF	Gasket	PTFE	1
5	V1-Z	Seat	PTFE+3%GF	2
4	V1-Q	Ball	CF8M	1
3	V1-FG	Stem	316	1
2	V1-G	Cap	CF8M	1
1	V1-T	Body	CF8M	1
No.	Drawing No.	Name	Material	QTY

DN	8	10	15	20	25	32	40	50
RC	1/4	3/8	1/2	3/4	1	1 1/4	1 1/2	2
Φd	5	7	9.2	12.6	16	20	25	32
L	39.4	43.7	57	58.5	71	78	82.5	100
LO	67	67	93	93	101	101	125	125
H	29.9	31.5	39.37	44	54	59	67.5	73.5