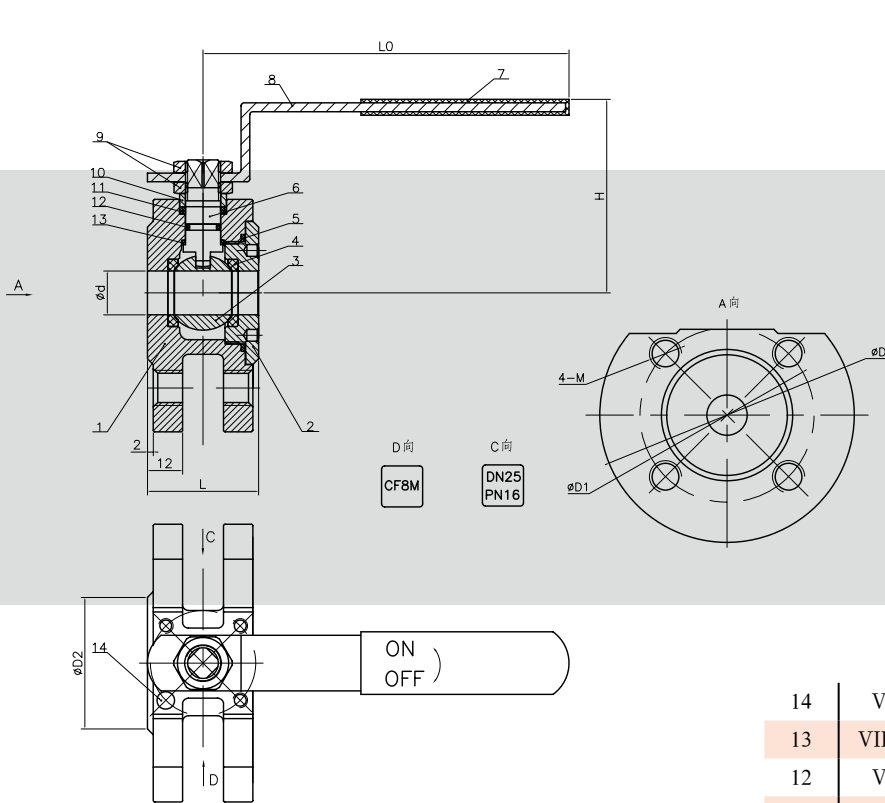


V-1FW 1 Piece Thin Flanged Ball Valve



- ◎ FULL BORE
- ◎ Flanged ends: DIN2543
ISO5752 GB12221
- ◎ Pressure rating: PN16
- ◎ Actuator mounting pad: ISO5211
Internal entry blow-out proof stem
- ◎ Material: 316 CF8M 1.4408
WCB 304 CF8
- ◎ Pressure test: API598

14	VIFW-X	Stopper	304	1
13	VIFW-ZTD	Thrust washer	PTFE	1
12	VIFW-O	O ring	Viton	1
11	VIFW-TL	Stem packing	PTFE	1
10	VIFW-TLT	Gland	304	1
9	VIFW-LM	Nut	304	2
8	VIFW-BS	Handle	304	1
7	VIFW-BT	Handle sleeve	Rubber	1
6	VIFW-FG	Stem	304	1
5	VIFW-MF	Gasket	PTFE	1
4	VIFW-Z	Seat	PTFE+3%GF	2
3	VIFW-Q	Ball	CF8M	1
2	VIFW-G	Cap	CF8M	1
1	VIFW-T	Body	CF8M	1
No.	Drawing No.	Name	Material	QTY

Size	Φd	L	H	LO	D	D1	D2	4-M
1 / 2	15	38	75	125.2	95	65	45	M12
3 / 4	20	38	80	125.2	105	75	58	M12
1	25	46	95	136.2	115	85	68	M12
1-1/4	32	54	101	136.2	140	100	78	M16
1-1/2	38	63	122	204.5	150	110	88	M16
2	50	80	121	204.5	165	125	102	M16
2-1/2	65	100	142	250	185	145	122	4-M16
3	76	118	161	250	200	160	138	8-M16
4	94	152	174	320	220	180	158	8-M16