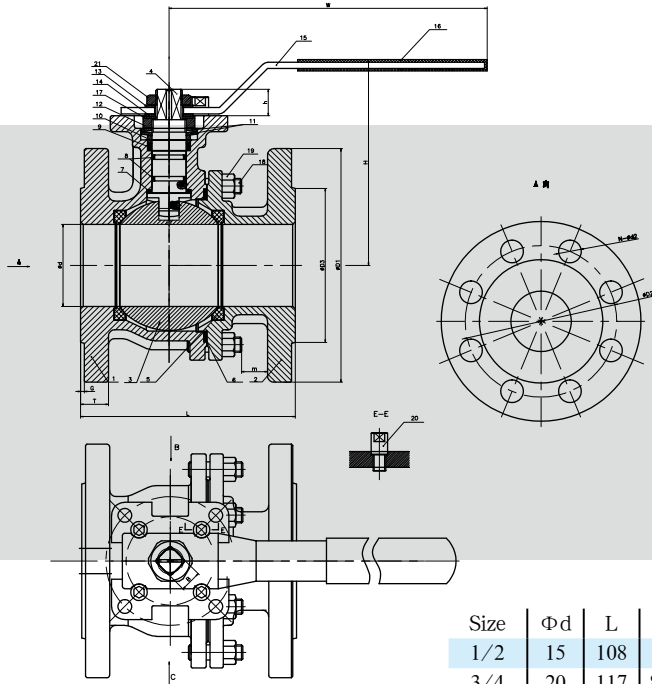


## V-2FMA ANSI 2 Piece High Platform Flanged Ball Valve



Size	Φd	L	H	W	T	G	h	ΦD1	ΦD2	ΦD3	N-Φd2	ISO5211	B
1/2	15	108	75	111.5	11	1.6	11	89	60.5	35	4-Φ16	F03/F04	9
3/4	20	117	82.5	137.5	11	1.6	9	98	70	43	4-Φ16	F04/F05	9
1	25	125	87.5	137.5	12	1.6	10.5	108	79.5	51	4-Φ16	F04/F05	11
1-1/4	32	140	107.5	160	13	1.6	14.5	117	89	64	4-Φ16	F05/F07	14
1-1/2	40	165	108.5	205	15	1.6	14.5	127	98.5	73	4-Φ16	F05/F07	14
2	50	178	116.5	205	16	1.6	14.5	152	120.5	92	4-Φ19	F05/F07	14
2-1/2	65	190	160	325	18	1.6	21	178	139.5	105	4-Φ19	F07/F10	17
3	80	203	170	325	19	1.6	21	190	152.5	127	4-Φ19	F07/F10	17
4	100	229	170	325	24	1.6	21	229	190.5	157	8-Φ19	F07/F10	17
6	150	394	228	620	26	1.6	34	279.4	241.3	218	8-Φ22.2	F10/F12	27

◎ Full bore

Internal entry blow-out proof stem

◎ Material: CF8M CF8 CF3M WCB

◎ Pressure rating:

ANSI-CLASS 150/300

◎ Pressure test: API 598

Lever handle with locking device

22	V2FMA1422	Bolt	304	8	GB5782
21	V2FMA1421	Nut	304	1	M12GB6172
20	V2FMA1420	Stopper	304	1	
19	V2FMA1419	Stopper screw	304	2	M10*10GB77
18	V2FMA1418	Handle sleeve	Rubber	1	
17	V2FMA1417	Handle	304	1	
16	V2FMA1416	Nut	CF8	1	
15	V2FMA1415	Handle hub	CF8	1	
14	V2FMA1414	Falt washer	304	1	
13	V2FMA1413	Lock washer	304	1	
12	V2FMA1412	Nut	CF8	1	
11	V2FMA1411	Spring washer	301	2	
10	V2FMA1410	Stem bushing	304	1	
9	V2FMA1409	Stem pack	PTFE	1	
8	V2FMA1408	O ring	Viton	1	
7	V2FMA1407	Thrust washer	PTFE+15% Graphite	1	
6	V2FMA1406	Gasket	304 + Graphite	1	
5	V2FMA1405	Seat	R-PTFE	2	
4	V2FMA1404	Stem	316	1	
3	V2FMA1403	Hollow ball	316	1	
2	V2FMA1402	Cap	CF8M	1	
1	V2FMA1401	Body	CF8M	1	
No.	Drawing No.	Name	Material	QTY	Remark