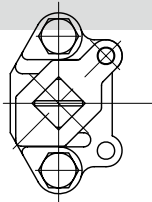
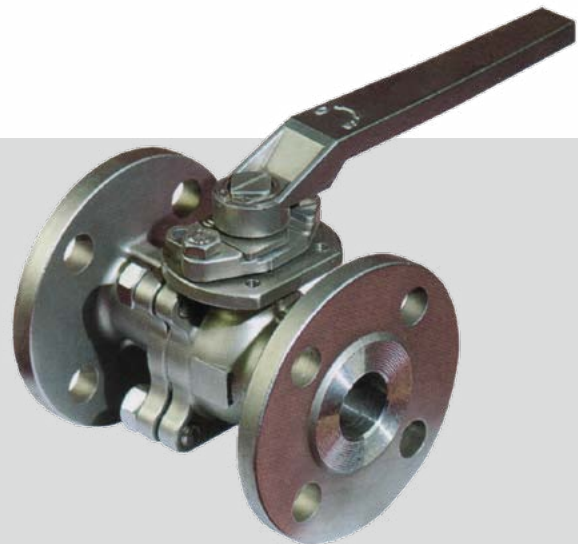
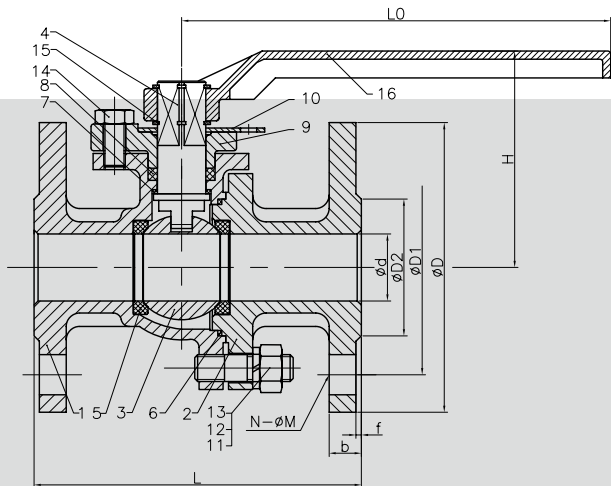




V-2FM

ANSI 2 Piece Flanged Ball Valve



◎ Full bore

Internal entry blow-out proof stem

◎ Material: CF8M CF8 CF3M

WCB

◎ Pressure rating:

ANSI-CLASS 150/300

◎ Pressure test: API 598

Lever handle with locking device

| | Φd | ΦD | ΦD1 | ΦD2 | b | f | L | LO | H | N-ΦM |
|---------|-----|-----|-------|-----|----|---|-----|-----|-----|-------|
| 1 / 2 | 15 | 89 | 60.5 | 35 | 11 | 2 | 108 | 130 | 73 | 4-Φ15 |
| 3/4 | 20 | 98 | 70 | 43 | 11 | 2 | 117 | 130 | 76 | 4-Φ15 |
| 1 | 25 | 108 | 79.5 | 51 | 12 | 2 | 127 | 160 | 86 | 4-Φ15 |
| 1 1 / 4 | 32 | 117 | 89 | 64 | 13 | 2 | 140 | 160 | 91 | 4-Φ15 |
| 1 1 / 2 | 38 | 127 | 98.5 | 73 | 15 | 2 | 165 | 200 | 119 | 4-Φ15 |
| 2 | 50 | 152 | 120.5 | 92 | 16 | 2 | 178 | 200 | 127 | 4-Φ19 |
| 2 1 / 2 | 65 | 178 | 139.5 | 105 | 18 | 2 | 190 | 200 | 136 | 4-Φ19 |
| 3 | 80 | 190 | 152.5 | 127 | 19 | 2 | 203 | 325 | 164 | 4-Φ19 |
| 4 | 100 | 229 | 190.5 | 157 | 24 | 2 | 229 | 325 | 178 | 8-Φ19 |

| | | | | |
|-----|-------------|----------------|------------|-----|
| 16 | V2FM-0016 | Handle | CF8 | 1 |
| 15 | GB894.1-86 | Shaft circlips | 304 | 2 |
| 14 | GB5781-86 | Hex. bolt | 304 | 2 |
| 13 | GB6170-86 | Nut | 304 | |
| 12 | CB897-88 | Stud | 304 | |
| 11 | GB93-87 | Spring washer | 304 | |
| 10 | V2FM-0010 | Stop washer | 304 | 1 |
| 9 | V2FM-0009 | Gland | CF8 | 1 |
| 8 | V2FM-0008 | Stem packing | PTFE | 1 |
| 7 | V2FM-0007 | Thrust washer | PTFE | 1 |
| 6 | V2FM-0006 | Gasket | P-TFE | 1 |
| 5 | V2FM-0005 | Seat | PTFE+3% GF | 2 |
| 4 | V2FM-0004 | Stem | 316 | 1 |
| 3 | V2FM-0003 | Ball | CF8M | 1 |
| 2 | V2FM-0002 | Cap | CF8M | 1 |
| 1 | V2FM-0001 | Body | CF8M | 1 |
| No. | Drawing No. | Name | Material | QTY |