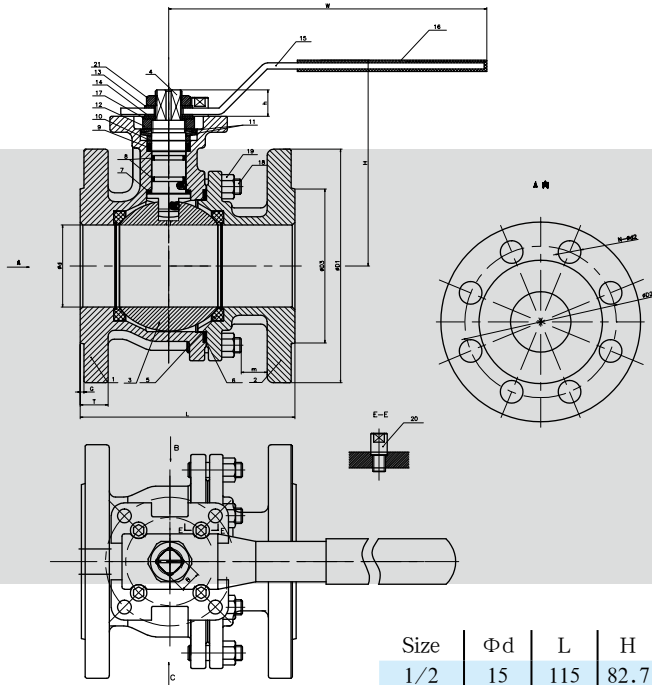




V-2FD

DIN 3202 2 Piece High Platform Flanged Ball Valve



Size	Φd	L	H	W	T	G	h	ΦD1	ΦD2	ΦD3	N-Φd2	ISO5211	B
1/2	15	115	82.7	161.2	16	2	11	95	65	45	4-Φ14	F03/F04	9
3/4	20	120	83.2	161.2	18	2	10	105	75	55	4-Φ14	F04/F05	9
1	25	125	88.2	161.2	18	2	11	115	85	68	4-Φ14	F04/F05	11
1-1/4	32	130	111	204.5	18	2	16.5	140	100	78	4-Φ18	F04/F05	14
1-1/2	40	140	112	204.5	18	3	16.5	150	110	88	4-Φ18	F05/F07	14
2	50	150	120	204.5	20	3	16.5	165	125	102	4-Φ18	F05/F07	14
2-1/2	65	170	160	325	18	3	21	185	145	122	4-Φ18	F07/F10	17
3	80	180	170	325	20	3	21	200	160	138	8-Φ18	F07/F10	17
4	100	190	186	325	20	3	21	220	180	158	8-Φ18	F07/F10	17
5	125	325	211	520	22	3	34	250	210	188	8-Φ18	F10/F12	27
6	150	350	228	620	22	3	34	285	240	212	8-Φ22	F10/F12	27

◎ Full bore

Internal entry blow-out proof stem

◎ Material: CF8M CF8 CF3M WCB

◎ Pressure rating: PN40

◎ Pressure test: API 598

Lever handle with locking device

21	V2FD-0021	Stopper	304	1
20	V2FD-0020	Handle	304	1
19	V2FD-0019	Lock washer	304	1
18	V2FD-0018	Stud	304	4
17	V2FD-0017	Nut	304	4
16	V2FD-0016	Handle sleeve	Rubber	1
15	V2FD-0015	Handle	304	1
14	V2FD-0014	Square washer	304	1
13	V2FD-0013	Flat washer	304	1
12	V2FD-0012	Nut	304	2
11	V2FD-0011	Spring washer	301	2
10	V2FD-0010	Stem bushing	304	1
9	V2FD-0009	Stem packing	PTFE	1
8	V2FD-0008	O ring	Viton	1
7	V2FD-0007	Stopper pad	PTFE+15% Graphite	1
6	V2FD-0006	Gasket	304+ Graphite	1
5	V2FD-0005	Seat	PTFE+3% GF	2
4	V2FD-0004	Stem	316	1
3	V2FD-0003	Ball	CF8M	1
2	V2FD-0002	Cap	CF8M	1
1	V2FD-0001	Body	CF8M	1
No.	Drawing No.	Name	Material	QTY