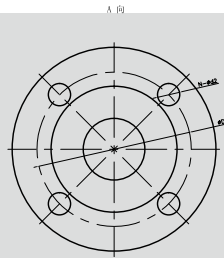
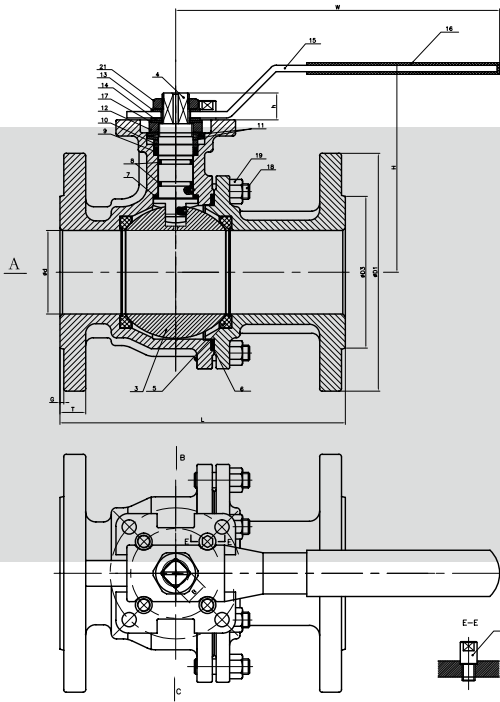


## V-2FG GB 2 Piece High Platform Flanged Ball Valve



Size	Φd	L	H	W	T	G	h	ΦD1	ΦD2	ΦD3	N-Φd2	ISO5211	B
1/2	15	130	82.7	161.2	14	2	11	95	65	46	4-Φ14	F03/F04	9
3/4	20	130	83.2	161.2	16	2	10	105	75	56	4-Φ14	F04/F05	9
1	25	140	88.2	161.2	16	3	11	115	85	65	4-Φ14	F04/F05	11
1-1/4	32	165	111	204.5	18	3	16.5	140	100	76	4-Φ18	F05/F07	14
1-1/2	40	165	112	204.5	18	3	16.5	150	110	84	4-Φ18	F05/F07	14
2	50	203	120	204.5	20	3	16.5	168	125	99	4-Φ18	F05/F07	14
2-1/2	65	222	160	325	20	3	21	185	145	122	4-Φ18	F07/F10	17
3	80	241	170	325	20	3	21	200	145	122	4-Φ18	F07/F10	17
4	100	305	186	325	22	3	21	220	180	158	8-Φ18	F07/F10	17

- ◎ Full bore
- Internal entry blow-out proof stem
- ◎ Material: CF8M CF8 CF3M WCB
- ◎ Pressure rating: PN40
- ◎ Pressure test: API 598
- Lever handle with locking device

21	V2FG-0021	Nut	304	1
20	V2FG-0020	Stopper	304	1
19	V2FG-0019	Nut	304	6
18	V2FG-0018	Stud	304	6
17	V2FG-0017	Lock washer	304	1
16	V2FG-0016	Handle sleeve	Rubber	1
15	V2FG-0015	Handle	304	1
14	V2FG-0014	Square washer	304	1
13	V2FG-0013	Flat washer	304	1
12	V2FG-0012	Nut	304	1
11	V2FG-0011	Spring washer	301	2
10	V2FG-0010	Stem bushing	304	1
9	V2FG-0009	Stem packing	PTFE	1
8	V2FG-0008	O ring	Viton	1
7	V2FG-0007	Thrust washer	PTFE+15% Graphite	1
6	V2FG-0006	Gasket	304+ Graphite	1
5	V2FG-0005	Seat	PTFE+3% GF	2
4	V2FG-0004	Stem	316	1
3	V2FG-0003	Ball	316	1
2	V2FG-0002	Cap	CF8M	1
1	V2FG-0001	Body	CF8M	1
No.	Drawing No.	Name	Material	QTY