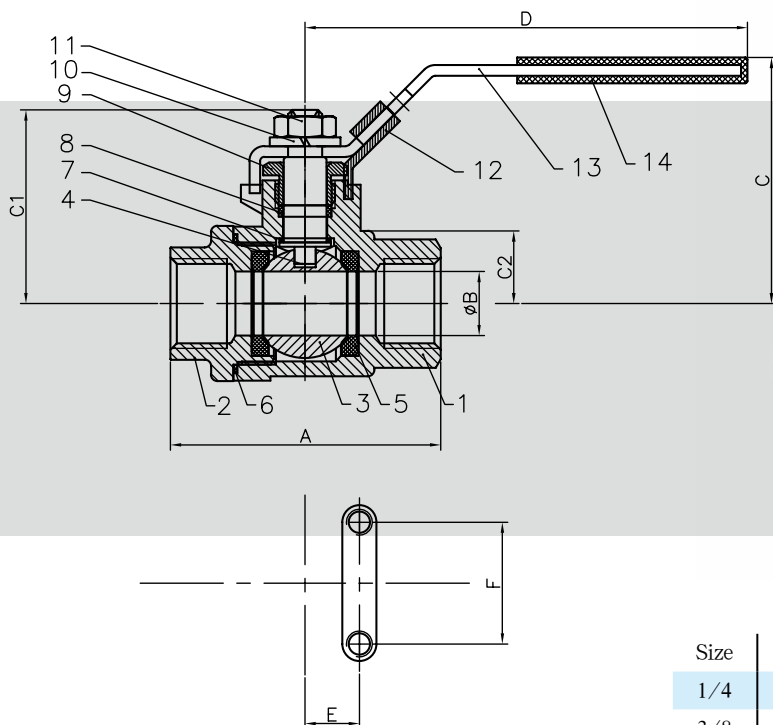


## V-2C 2 Piece Heavy Internal Threaded Ball Valve



- ◎ Full bore Heavy type
- ◎ Threaded ends: ANSI B2.1 BS 21, DIN259/2999 JIS 130202/130203
- Internal entry blow-out proof stem
- ◎ Material: CF8M CF8 CF3M WCB
- ◎ Pressure rating: 1000PSI WOG
- ◎ Pressure test: API 598
- Lever handle with locking device

| Size  | A   | ΦB   | C    | C1   | C2   | D   | E    | F    |
|-------|-----|------|------|------|------|-----|------|------|
| 1/4   | 54  | 11.5 | 50.5 | 36.7 | 14.5 | 103 | 12.7 | 28.5 |
| 3/8   | 54  | 12   | 50.5 | 36.7 | 14.5 | 103 | 12.7 | 28.5 |
| 1/2   | 63  | 15   | 57   | 45.3 | 18   | 103 | 12.7 | 28.5 |
| 3/4   | 73  | 20   | 61   | 49.4 | 21.5 | 125 | 22.1 | 35   |
| 1     | 88  | 25   | 69   | 58.2 | 25.9 | 155 | 22.1 | 35   |
| 1 1/4 | 102 | 32   | 75   | 64.3 | 30.5 | 155 | 25   | 38   |
| 1 1/2 | 109 | 38   | 86   | 73.5 | 37   | 181 | 25   | 38   |
| 2     | 125 | 50   | 97   | 84.6 | 45   | 181 | 25   | 38   |

|     |             |               |          |     |
|-----|-------------|---------------|----------|-----|
| 14  | V2C-0414    | Handle sleeve | Rubber   | 1   |
| 13  | V2C-0413    | Handle        | 304      | 1   |
| 12  | V2C-0412    | Stopper       | 304      | 1   |
| 11  | V2C-0411    | Nut           | 304      | 1   |
| 10  | V2C-0410    | Spring washer | 304      | 1   |
| 9   | V2C-0409    | Gland         | 304      | 1   |
| 8   | V2C-0408    | Stem packing  | R-PTFE   | 1   |
| 7   | V2C-0407    | Thrust washer | R-PTFE   | 1   |
| 6   | V2C-0406    | Gasket        | PTFE     | 1   |
| 5   | V2C-0405    | Seat          | R-PTFE   | 2   |
| 4   | V2C-0404    | Stem          | 316      | 1   |
| 3   | V2C-0403    | Ball          | CF8M     | 1   |
| 2   | V2C-0402    | Cap           | CF8M     | 1   |
| 1   | V2C-0401    | Body          | CF8M     | 1   |
| No. | Drawing No. | Name          | Material | QTY |