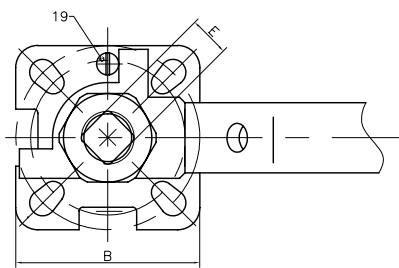
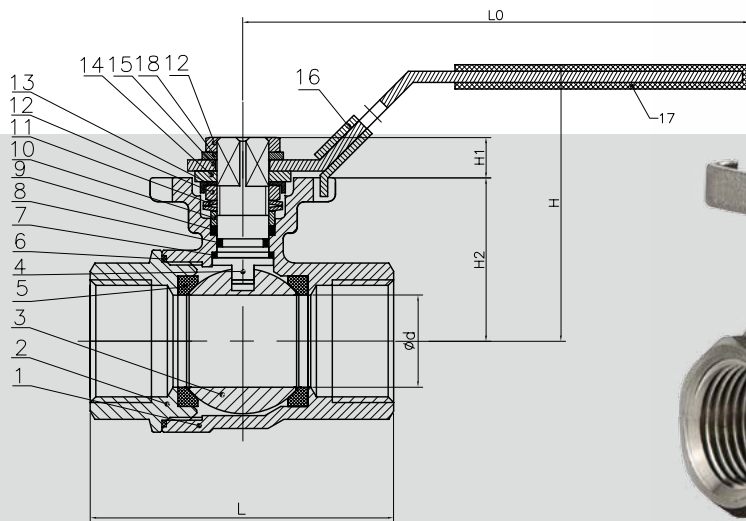


V-2M 2 Piece High Platform Internal Threaded Ball Valve



	2.5	1/4	3/8	1/2	3/4	1	1 1/4	1 1/2	2	2-1/2	3	4
Φd	11	12.7	15	20	25	32	40	50	62	76	94	
L	49.5	49.5	55	70.5	82.5	90.8	103	120	152	172	220	
LO	110	110	110	136	136	158	203	203	324	324	324	
H	62	62	64	72	74	87	98	106	140	149	165	
H1	9.5	9.5	9	11.2	11	15	15	15	19	19	19	
H2	36	36	38	41.5	44.4	54	59.5	67	98	107.5	123.5	
E	9	9	9	11	11	14	14	14	17	17	17	
B	38	38	42	50	50	66	66	66	93	93	93	
ISO 5211	F03	F03	F03 F04	F04 F05	F04 F05	F05 F07	F05 F07	F05 F07	F05 F10	F07 F10	F07 F10	F07 F10

- ⊙ Full bore ISO5211
- ⊙ Threaded ends: ANSI B2.1 BS 21, DIN259/2999 JIS 130202/130203
- Internal entry blow-out proof stem
- ⊙ Material: CF8M CF8 CF3M WCB
- ⊙ Pressure rating: 1000PSI WOG
- ⊙ Pressure test: API 598
- Lever handle with locking device

19	V2M-0019	Stopper	304	1
18	V2M-0018	Flat washer	304	1
17	V2M-0017	Handle sleeve	Rubber	1
16	V2M-0016	Handle lock	304	1
15	V2M-0015	Handle	304	1
14	V2M-0014	Stopper washer	304	1
13	V2M-0013	Lock washer	304	1
12	V2M-0012	Nut	304	2
11	V2M-0011	Butterfly pad	301	2
10	V2M-0010	Gland	304	1
9	V2M-0009	Stem packing	PTFE	1
8	V2M-0008	O ring	Viton	1
7	V2M-0007	Thrust washer	PTFE+15% Graphite	1
6	V2M-0006	Gasket	PTFE	1
5	V2M-0005	Seat	PTFE+3% GF	2
4	V2M-0004	Stem	316	1
3	V2M-0003	Ball	CF8M	1
2	V2M-0002	Cap	CF8M	1
1	V2M-0001	Body	CF8M	1
No.	Drawing No.	Name	Material	QTY