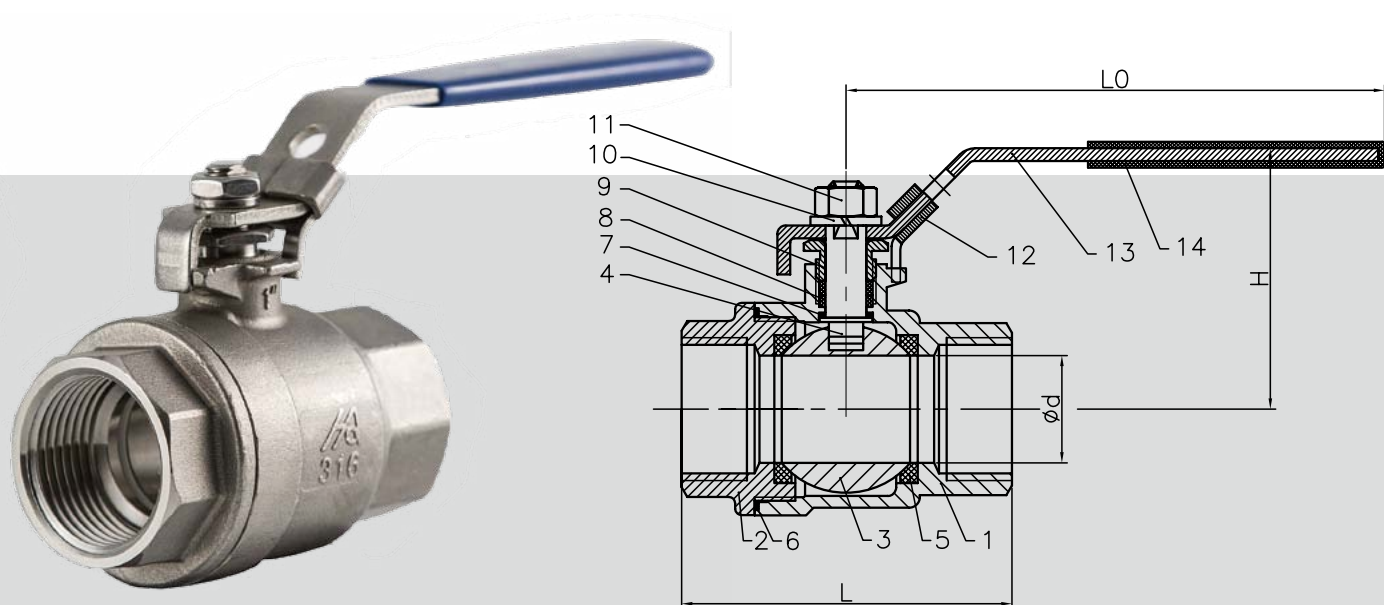


V-2 2 Piece Internal Threaded Ball Valve



- ⊙ Full bore
- ⊙ Threaded ends: ANSI B2.1 BS 21, DIN259/2999 JIS 130202/130203 Internal entry
- blow-out proof stem

- ⊙ Material: CF8M CF8 CF3M WCB
- ⊙ Pressure rating: 1000PSI WOG
- ⊙ Pressure test: API 598
- Lever handle with locking device

Size	1/4	3/8	1/2	3/4	1	1 1/4	1 1/2	2	2 1/2	3	4
DN	8	10	15	20	25	32	40	50	65	80	100
Φd	11.6	11.6	15	20	25	32	38	50	65	76	94
L	46.8	48.5	58	65.7	77	90	98	121	145	166	214
LO	105	105	105	128	128	158	158	194	248	248	330
H	44	44	48	61	62	79	86	90	118	126	176

14	V2-0014	Handle sleeve	Rubber	1
13	V2-0013	Handle	304	1
12	V2-0012	Stopper	304	1
11	V2-0011	Nut	304	1
10	V2-0010	Spring washer	304	1
9	V2-0009	Gland	304	1
8	V2-0008	Stem packing	PTFE	2
7	V2-0007	Thrust washer	PTFE	1
6	V2-0006	Gasket	PTFE	1
5	V2-0005	Seat	PTFE+3%GF	2
4	V2-0004	Stem	316	1
3	V2-0003	Ball	CF8M	1
2	V2-0002	Cap	CF8M	1
1	V2-0001	Body	CF8M	1
No.	Drawing No.	Name	Material	QTY