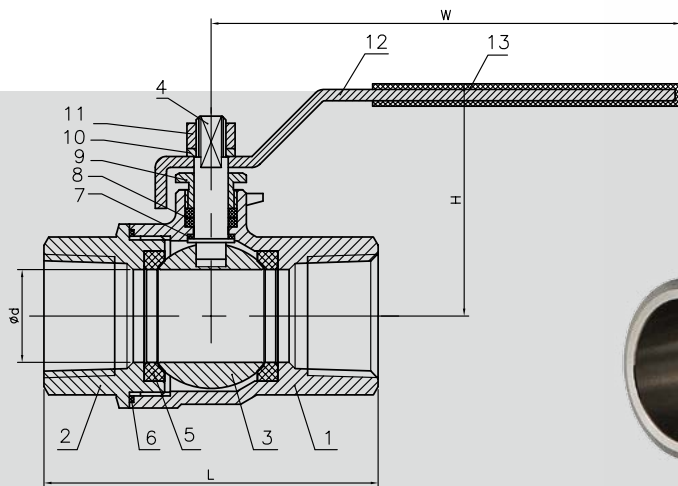




## V-2W

### 2 Piece Internal And External Threaded Ball Valve



- ◎ Full bore
- ◎ Threaded ends:ANSIB2.1 BS 21,DIN259/2999 JIS 130202/130203  
Internal entry blow-out proof stem
- ◎ Material: CF8M CF8 CF3M WCB
- ◎ Pressure rating: 1000PSI WOG
- ◎ Pressure test: API 598
- Lever handle with locking device

Size	Φd	L	LO	H
1/4	10.8	56.5	103	43.5
3/8	11.6	58.2	103	43.5
1/2	15	69	103	49
3/4	20	77.7	126	59.4
1	25	90.5	126	63
1-1/4	32	105.5	154	80
1-1/2	38	114.2	154	84
2	50	139.5	192	94

14	V2W-0014	Handle sleeve	Rubber	1
13	V2W-0013	Handle	304	1
12	V2W-0012	Locker	304	1
11	V2W-0011	Nut	304	1
10	V2W-0010	Spring washer	304	1
9	V2W-0009	Gland	304	1
8	V2W-0008	Stem packing	PTFE	2
7	V2W-0007	Thrust washer	PTFE	1
6	V2W-0006	Gasket	PTFE	1
5	V2W-0005	Seat	PTFE+3%GF	2
4	V2W-0004	Stem	316	1
3	V2W-0003	Ball	316	1
2	V2W-0002	Cap	CF8M	1
1	V2W-0001	Body	CF8M	1
No.	Drawing No.	Name	Material	QTY