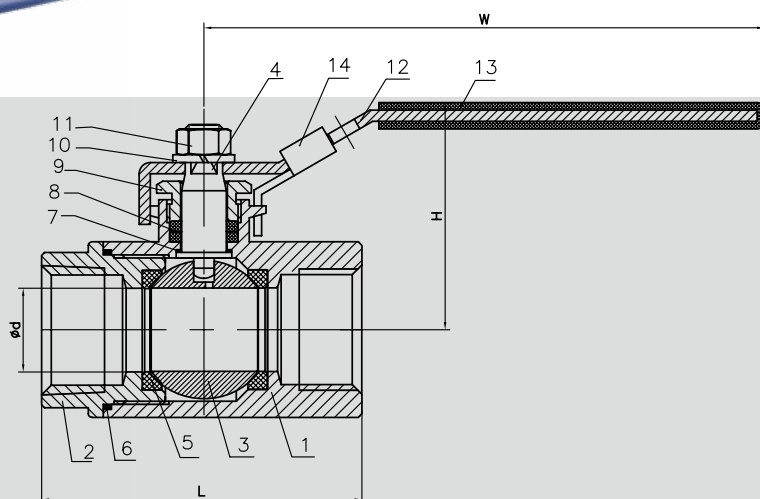


V-2A 2 Piece Reduced Bore Internal Threaded Ball Valve



- Reduced bore
 - Threaded ends: ANSI B2.1 BS 21, DIN259/2999 JIS 130202/130203
Internal entry blow-out proof stem
 - Material: CF8M CF8 CF3M WCB
 - Pressure rating: 2000PSI WOG
 - Pressure test: API 598
- Lever handle with locking device

Size	Φd	L	H	w
1/4	9.53	54	44	110
3/8	9.53	54	44	110
1/2	12.7	62	49	110
3/4	17.53	72	58	150
1	22.35	86	61	150
1-1/4	25.4	92	70	168
1-1/2	31.75	102	75	186
2	38.1	118	82	186

14	V2A-0014	Locker	304	1
13	V2A-0013	Handle Sleeve	Rubber	1
12	V2A-0012	Handle	304	1
11	V2A-0011	Nut	304	1
10	V2A-0010	Spring washer	304	1
9	V2A-0009	Gland	304	1
8	V2A-0008	Stem packing	PTFE	2
7	V2A-0007	Thrust washer	PTFE	1
6	V2A-0006	Gasket	PTFE	1
5	V2A-0005	Seat	PTFE+15%GF	2
4	V2A-0004	Stem	316	1
3	V2A-0003	Ball	CF8M	1
2	V2A-0002	Cap	CF8M	1
1	V2A-0001	Body	CF8M	1
No.	Drawing No.	Name	Material	QYT