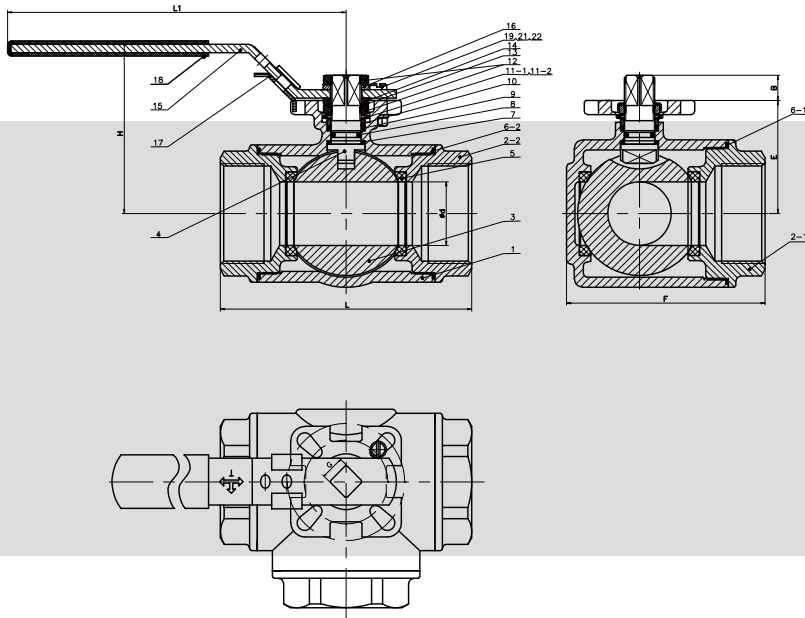




V-3WAY

Three Way Ball Valve with high platform



- ⊙ Full bore
- ⊙ Threaded ends:ANSIB2.1 BS 21,DIN259/2999
JIS 130202/130203
- Internal entry blow-out proof stem
- ⊙ Material: CF8M CF8 CF3M WCB
- ⊙ Pressure rating: 1000PSI WOG
- ⊙ Pressure test: API 598
- Lever handle with locking device

PRESSURE TEST (MPa)

SHELL TEST	6Mpa
SEAT TEST	4.4Mpa
AIR TEST	0.6Mpa
APPLICABLE TEMPERATURE	-20~120℃

SIZE	Φd	L	L1	H	B	E	F	G	ISO5211
1/4	11	70	126.5	64.5	9.5	37	53	9	F03-F04
3 / 8	12	70	126.5	64.5	9.5	37	53	9	F03-F04
1/2	12	70	126.5	64.5	9.5	37	53	9	F03-F04
3/4	15	80	147.5	69.5	11	40	60.5	9	F04-F05
1-1/2	32	135		108		189	9	70	NPT
1	18	95	147.5	73.7	11	44.2	73	11	F04-F05
1-1/4	25	120	202	89.5	15	54	91	14	F05-F07
1-1/2	32	130	202	96	15	60.5	101.5	14	F05-F07
2	38	150	202	103	15	67.5	118.5	14	F05-F07

NO.	PART NAME	MATERIAL
1	STEM	F304
2	NUT	304
3	HANDLE	304
4	GASKET	304
5	STOP GASKET	304
6	NUT	304
7	LOCK ATEPIN	304
8	SPRING WASHER	304
9	BUSHING	304
10	STEM PACKING	PTFE
11	STOP GASKET	PTFE
12	CAP	CF8M
13	GASKET	PTFE
14	SEAT	PTFE
15	BALL	F304
16	BODY	CF8M