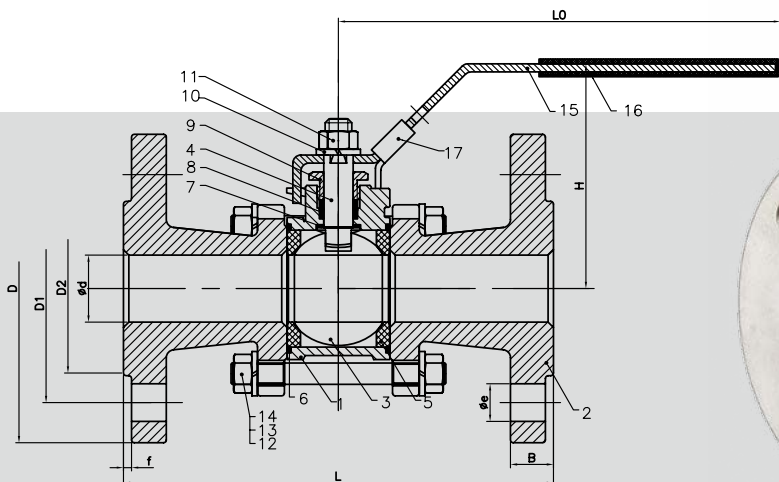




## V-3F

### 3 Piece Flanged Ball Valve



◎ Full bore

Flanged ends: DIN 2345, ISO 5752,  
GB 12221

Quality investment casting body  
and cap

Internal entry blow-out proof stem

◎ Pressure rating: PN40

◎ Material: CF8M, CF8,  
CF3M, WCB

◎ Pressure test: API598

Lever handle with locking device

Size	d	L	D	D1	D2	B	f	z-Φe	H	LO
1/2	15	130	95	65	46	14	2	4-Φ14	68	136
3/4	20	150	105	75	56	16	2	4-Φ14	72	136
1	25	160	115	85	65	16	3	4-Φ14	84	165
1-1/4	32	180	140	100	76	18	3	4-Φ18	93	165
1-1/2	38	200	150	110	84	18	3	4-Φ18	99	200
2	50	230	165	125	99	20	3	4-Φ18	109	200
2-1/2	65	290	185	145	118	22	3	8-Φ18	138	302
3	80	310	200	160	132	24	3	8-Φ18	150	302
4	100	350	235	190	156	24	3	8-Φ22	180	329

17	V3F-0017	Lock washer	304	1
16	V3F-0016	Handle sleeve	Rubber	1
15	V3F-0015	Handle	304	1
14	V3F-0014	Nut	304	8
13	V3F-0013	Spring washer	304	8
12	V3F-0012	Stud	304	4
11	V3F-0011	Nut	304	1
10	V3F-0010	Spring washer	304	1
9	V3F-0009	Gland	304	1
8	V3F-0008	Stem packing	PTFE	2
7	V3F-0007	Thrust washer	PFTE	1
6	V3F-0006	Gasket	PFTE	2
5	V3F-0005	Seat	PTFE	2
4	V3F-0004	Stem	304	1
3	V3F-0003	Ball	CF8M	1
2	V3F-0002	Cap	CF8M	2
1	V3F-0001	Body	CF8M	1
No.	Drawing No.	Name	Material	QTY