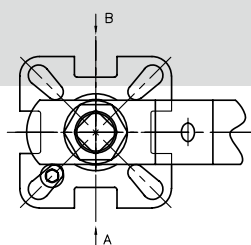
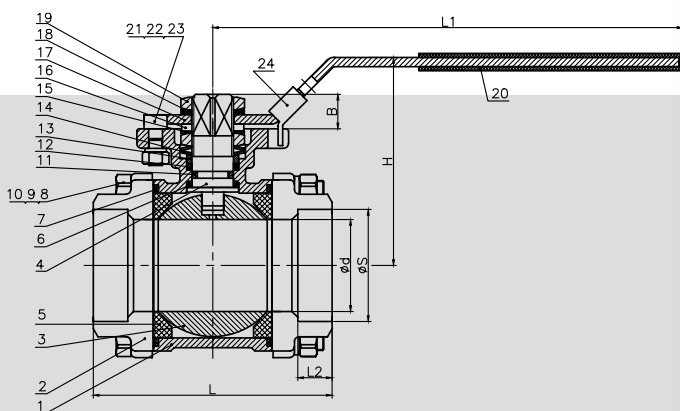


V-3MS 3 piece socket welded ball valve



	1/4	3/8	1/2	3/4	1	1 1/4	1 1/2	2	2 1/2	3	4
Φd	11	12.7	15	20	25	32	40	50	65	80	100
L	47.6	47.6	55	73.6	81	91	103	120	155	182	218.4
L1	112	112	112	138	138	160	205	205	252	252	324
H	61	61	62	70	74	86	92	99	147	158	172
B	11	11	12	11	11	15	15	15	20	20	20
ΦS	14.2	17.6	21.7	27.1	33.8	42.6	48.8	61.1	73.8	89.8	115.5
L2	10	10	10	14	14	15	15	19	21	24	35
ISO 5211	F03		F03 F04	F04-F05		F05-F07			F07-F10		

- ⊙ Full bore ISO5211
- ⊙ Connection standard: socket weld
- ⊙ Material: CF8M CF8 CF3M WCB
- ⊙ Pressure rating: 1000PSI WOG
- ⊙ Pressure test: API 598

Lever handle with locking device

24	V3M-0024	Locker	304	1
23	V3M-0023	Spring washer	304	1
22	V3M-0022	Nut	304	1
21	V3M-0021	Bolt	304	1
20	V3M-0020	Handle sleeve	Rubber	1
19	V3M-0019	Nut	304	2
18	V3M-0018	Flat ring	304	1
17	V3M-0017	Handle	304	1
16	V3M-0016	Square washer	304	1
15	V3M-0015	Lock washer	304	1
14	V3M-0014	Butterfly washer	301	2
13	V3M-0013	Gland	304	1
12	V3M-0012	Stem packing	PTFE	1
11	V3M-0011	O ring	Viton	1
10	V3M-0010	Spring washer	304	
9	V3M-0009	Nut	304	
8	V3M-0008	Bolt	304	
7	V3M-0007	Gasket	PTFE+15% Graphite	2
6	V3M-0006	Thrust washer	PTFE+15% Graphite	1
5	V3M-0005	Seat	PTFE+3% GF	2
4	V3M-0004	Stem	316	1
3	V3M-0003	Ball	CF8M	1
2	V3MS-0002	Cap	CF8M	2
1	V3M-0001	Body	CF8M	1
No.	Drawing No.	Name	Material	QTY