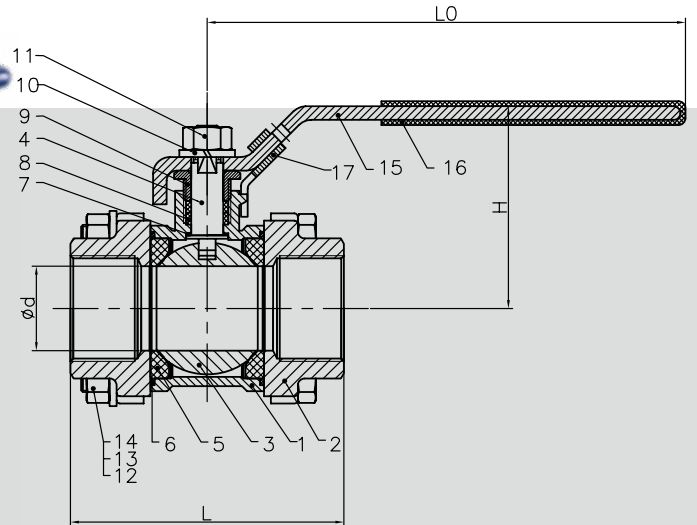


## V-3BL 3 piece welded ball valve



	1/4	3/8	1/2	3/4	1	1 1/4	1 1/2	2	2 1/2	3	4
$\Phi d$	11	12	15	20	25	32	40	50	65	75	100
H	42.5	42.5	49.6	58.1	61.3	78.3	82.5	90.9	114.5	124	176
LO	101.5	101.5	101.5	124	124	152	152	190	242	242	327
L	50.4	50.4	61.4	70.2	79.6	93	102	124.2	156.2	179.2	218.4

- ⊙ Full bore
- ⊙ Connection standard: Internal entry blow-out proof stem
- ⊙ Material: CF8M CF8 CF3M WCB
- ⊙ Pressure rating: 1000PSI WOG
- ⊙ Pressure test: API 598
- Lever handle with locking device

17	V3-0017	Lock washer	304	1
16	V3-0016	Handle sleeve	Rubber	1
15	V3-0015	Handle	304	1
14	V3-0014	Nut	304	4
13	V3-0013	Spring washer	304	4
12	V3-0012	Bolt	304	4
11	V3-0011	Nut	304	1
10	V3-0010	Spring washer	304	1
9	V3-0009	Gland	304	1
8	V3-0008	Stem packing	PTFE	2
7	V3-0007	Thrust washer	PTFE	1
6	V3-0006	Gasket	PTFE	2
5	V3-0005	Seat	PTFE+3% GF	2
4	V3-0004	Stem	316	1
3	V3-0003	Ball	CF8M	1
2	V3-0002	Cap	CF8M	2
1	V3-0001	Body	CF8M	1
No.	Drawing No.	Name	Material	QTY