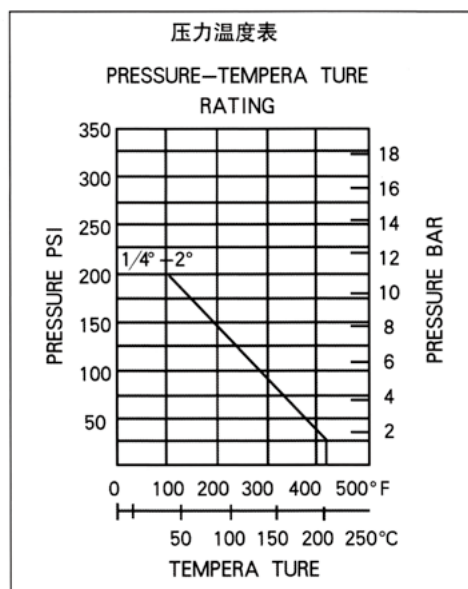
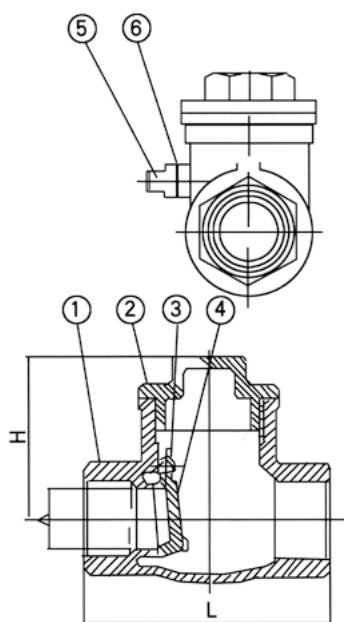


## VT-C Swing Type Check Valve

- ⊙ Size: 1/2"-2"
- ⊙ Full bore
- ⊙ Threaded ends: ANSI B2.1, BS21, DIN 259/2999, JIS
- ⊙ 130202/130203
- ⊙ Quality investment casting body
- ⊙ Pressure rating: 200PSI WOG
- ⊙ Material: CF8M, CF8, CF3M, WCB



### DIMENSIONS

SIZE	A	H	L
1/2	15	42	65
3/4	20	51	80
1	25	60	90
1-1/4	32	67	105
1-1/2	40	75	120
2	50	81	140

ITEM	PART NAME	MATERIAL	QTY
1	BODY	CF8M	1
2	BONNET	CF8M	1
3	HANGER PIN	316	1
4	DISC	CF8M	1
5	PLUG	316	1
6	PLUG GASKET	PTEF	1