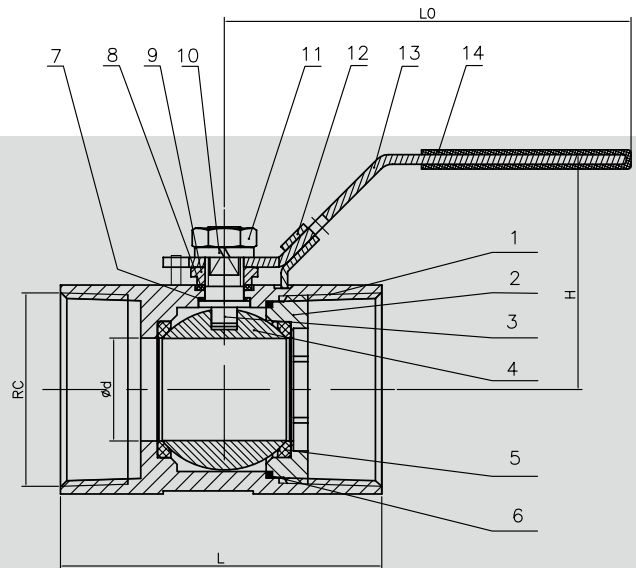




V-1D M3

DIN 3202 1 Piece Internal Threaded Ball Valve



DN	8	10	15	20	25	32	40	50
RC	1 / 4	3 / 8	1 / 2	3 / 4	1	1 1 / 4	1 1 / 2	2
ΦD	5	7	9.2	12.6	16	20	25	32
L	46.5	49.5	59	64	75	83	90.5	108
L0	67	67	93	93	101	101	125	125
H	29.9	31.5	39.37	44	54	59	67.5	73.5

- ⊙ Reduced bore DIN3202
- ⊙ Threaded ends: DIN259/2999 JIS 130202/1302203 Internal entry blow-out proof stem
- ⊙ Material: CF8M CF8 CF3M WCB
- ⊙ Pressure rating: 1000PSI WOG
- ⊙ Pressure test: API 598 Lever handle

14	V1-BT	Handle sleeve	Rubber	1
13	V1-BS	Handle	304	1
12	V1-XS	Stopper	304	1
11	GB6172-86	Nut	304	1
10	GB93-87	Spring washer	304	1
9	V1-JLM	Nut	304	1
8	V1-TL	Stem packing	PTFE	1
7	V1-ZTD	Thrust washer	PTFE	1
6	V1-MF	Gasket	PTFE	1
5	V1-2	Seat	PTFE+3%GF	2
4	V1-Q	Ball	CF8M	1
3	V1-FG	Stem	316	1
2	V1-G	Cap	CF8M	1
1	V1-T	Body	CF8M	1
No.	Drawing No.	Name	Material	QTY