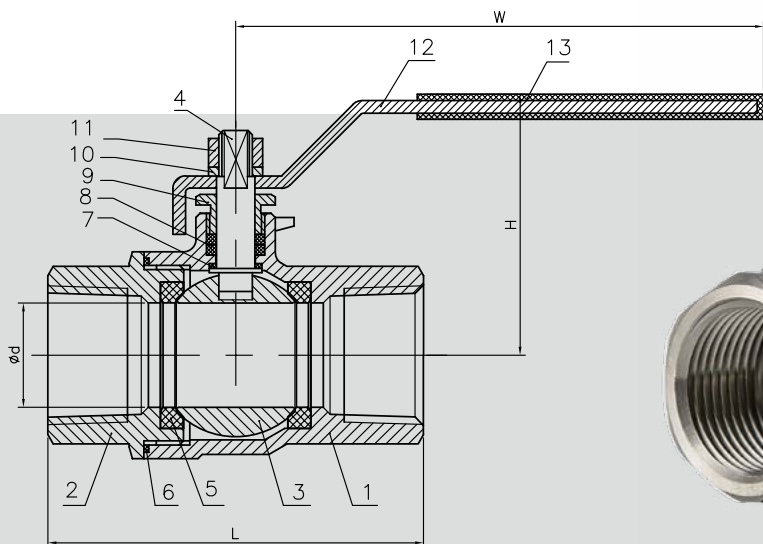




V-2D

DIN 3202 2 Piece Internal Threaded Ball Valve



- ⊙ Full bore DIN3202
- ⊙ Threaded ends;ANSIB2.1 BS 21,DIN259/2999 JIS 130202/130203
- Internal entry blow-out proof stem
- ⊙ Material: CF8M CF8 CF3M WCB
- ⊙ Pressure rating: 1000PSI WOG
- ⊙ Pressure test: API 598
- Lever handle with locking device

Size	Φd	L	H	w
1/4	11	50	45	103
3/8	12.7	60	45	103
1/2	15	75	49.2	103
3/4	20	80	59.1	126.5
1	25	90	62.5	126.5
1-1/4	32	110	82.7	154
1-1/2	38	120	86.7	154
2	50	140	101.8	192
2-1/2	65	185	127.6	244
3	76	205	136.6	244
4	94	240	178	329

13	V2D-0013	Handle Sleeve	Rubber	1
12	V2D-0012	Handle	304	1
11	V2D-0011	Nut	304	1
10	V2D-0010	Spring washer	304	1
9	V2D-0009	Gland	304	1
8	V2D-0008	Stem packing	PTFE	2
7	V2D-0007	Thrust washer	PTFE	1
6	V2D-0006	Gasket	PTFE	1
5	V2D-0005	Seat	PTFE+3%GF	2
4	V2D-0004	Stem	316	1
3	V2D-0003	Ball	CF8M	1
2	V2D-0002	Cap	CF8M	1
1	V2D-0001	Body	CF8M	1
No.	Drawing No.	Name	Material	QTY