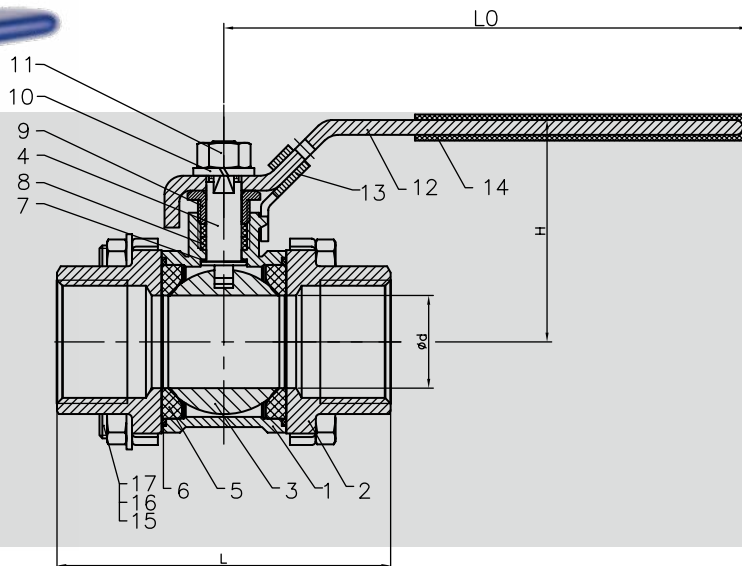


V-3D DIN 3202 3 Piece Internal Threaded Ball Valve



	1/4	3/8	1/2	3/4	1	1 1/4	1 1/2	2	2 1/2	3	4
Φd	11	12	15	20	25	32	40	50	65	76	100
H	42.5	42.5	49.6	58.1	61.3	78.3	82.5	90.9	114.5	124	176
LO	101.5	101.5	101.5	124	124	152	152	190	242	242	327
L	50	60	75	80	90	110	120	140	185	205	240

- Full bore DIN3202
- Threaded ends: ANSIB2.1 BS 21, DIN259/2999 JIS 130202/130203
- Internal entry blow-out proof stem
- Material: CF8M CF8 CF3M WCB
- Pressure rating: 1000PSI WOG
- Pressure test: API 598
- Lever handle with locking device

17	V3D-0017	Nut	304	4(6)
16	V3D-0016	Spring washer	304	4(6)
15	V3D-0015	Bolt	304	4(6)
14	V3D-0014	Handle sleeve	Rubber	1
13	V3D-0013	Stopper	304	1
12	V3D-0012	Handle	304	1
11	V3D-0011	Nut	304	1
10	V3D-0010	Spring washer	304	1
9	V3D-0009	Gland	304	1
8	V3D-0008	Stem packing	PTFE	2
7	V3D-0007	Thrust washer	PTFE	1
6	V3D-0006	Gasket	PTFE	2
5	V3D-0005	Seat	PTFE+3% GF	2
4	V3D-0004	Stem	316	1
3	V3D-0003	Ball	CF8M	1
2	V3D-0002	Cap	CF8M	2
1	V3D-0001	Body	CF8M	1
No.	Drawing No.	Name	Material	QTY