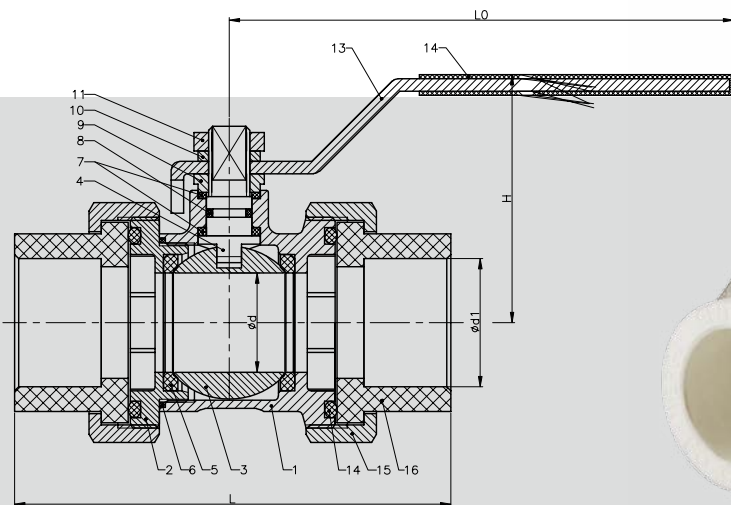




## SHJ-V2

Double live ball valve



Size	Φd	Φd1	L	LO	H
DN20	12.5	19.2	82	104	47
DN25	17	24	94	122	56.5
DN32	24	31	105	122	60

- ⊙ Reduced bore
  - ⊙ Connection standard: sweating welding
  - ⊙ Material: CF8M CF8 CF3M WCB
  - ⊙ Pressure rating: 1000PSI WOG
  - ⊙ Pressure test: API 598
- Lever handle with locking device

16	SHJV20016	Connector	PPFR	2
15	SHJV20015	Nut	304	2
14	SHJV20014	O ring	EPDM	2
13	SSHJV20013	Handle Sleeve	Rubber	1
12	SHJV20012	Handle	304	1
11	SHJV20011	Nut	304	1
10	SHJV20010	Spring washer	304	1
9	SHJV20009	Nut	304	1
8	SHJV20008	O ring	Viton	1
7	SHJV20007	Thrust washer	PTFE	2
6	SHJV20006	Gasket	PTFE	1
5	SHJV20005	Seat	PTFE+3% GF	2
4	SHJV20004	Stem	316	1
3	SHJV20003	Ball	304	1
2	SHJV20002	Cap	CF8	1
1	SHJV20001	Body	CF8	1
No.	Drawing No.	Name	Material	QTY