

HUANDE STEEL VALVE

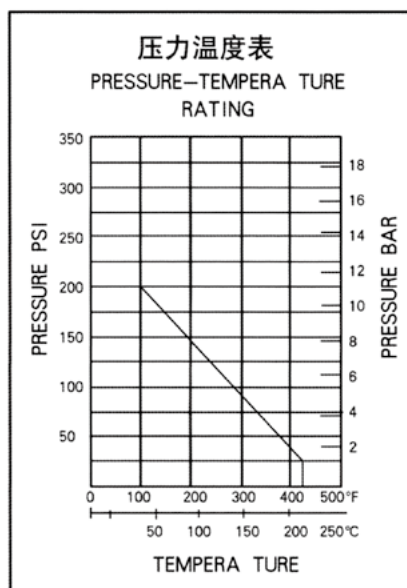
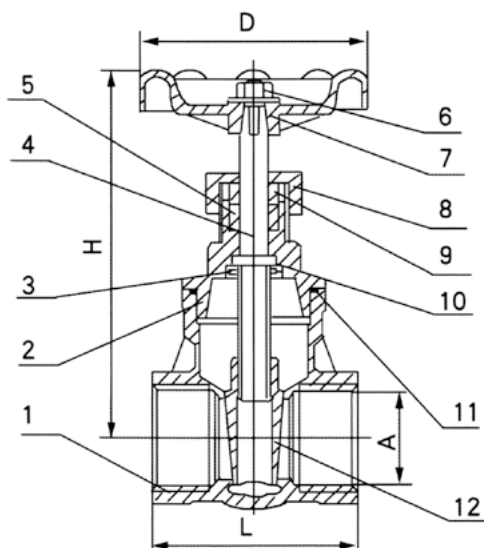


VT-G

API 598 Investment Cast Steel Gate Valve



- ◎ Size: 1/2"–2"
- ◎ Full bore
- ◎ Threaded ends: ANSI B2.1, BS21, DIN 25912999, JIS 130202/130203
- ◎ Quality investment casting body
- ◎ Pressure rating: 200PSI WOG
- ◎ Material: CF8M, CF8, CF3M, WCB
- ◎ Pressure test: API 598



ITEM	DESIGNATION	MATERIAL
1	BODY	CF8M
2	BONNET	CF8M
3	STOPRING	304
4	STEM	316
5	PACKING	R-PTFE
6	HANDWHEELNUT	304
7	HANDWHEEL	ALUMINUM
8	PACKINGNUT	316
9	GLAND	304
10	LOCKNUT	316
11	GASKET	R-PTFE
12	DISC	CF8M

DIMENSIONS

SIZE	A	D	L	H
1/2	15	70	55	90
3/4	20	70	60	97
1	25	80	65	108
1-1/4	32	80	75	120
1-1/2	38	90	85	146
2	50	100	95	163