

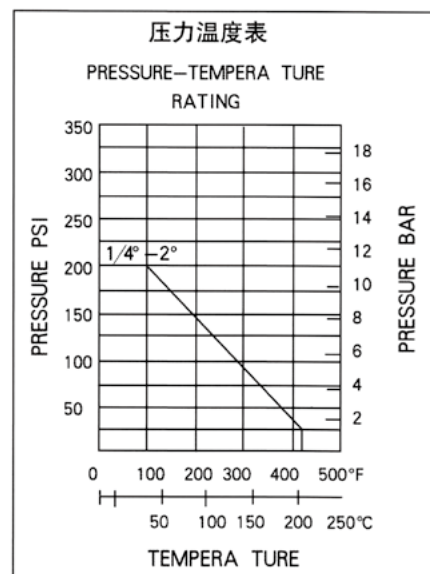
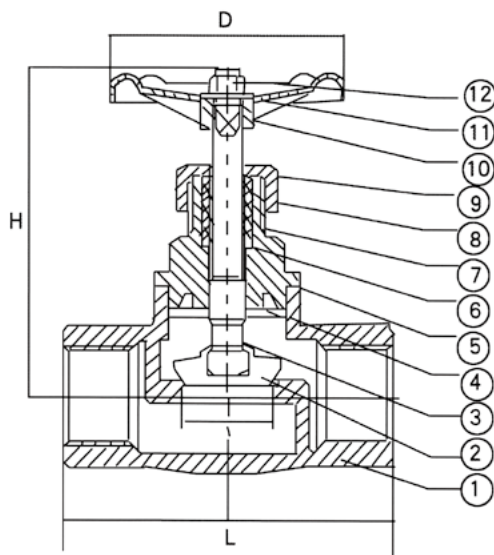


## VT-GL

Investment Cast Globe  
Valve API 598



- ⊙ Size: 1/2"-2"
- ⊙ Full bore
- ⊙ Threaded ends: ANSI B2.1, BS21, DIN 25912999, JIS 130202/130203
- ⊙ Quality investment casting body
- ⊙ Pressure rating: 200PSI WOG
- ⊙ Material: CF8M, CF8, CF3M, WCB
- ⊙ Pressure test: API 598



ITEM	PARTNAME	MATERIAL	QTY
1	BODY	CF8/CF8M	1
2	PETAL	304/316	1
3	STEM	316	1
4	CAP	CF8/CF8M	1
5	GASKET	PTFE	1
6	WASHER	304/316	1
7	STEM PACKING	PTFE	1
8	RING	304/316	1
9	GLAND RING	CF8/CF8M	1
10	HAND WHEEL	ALUMNUM ALLOY	1
11	NAME PLATE	ALUMNUM ALLOY	1
12	NUT	304	1

### DIMENSIONS

SIZE	A	D	L	H
1/4	10	70	65	85
3/8	12	70	65	85
1/2	15	70	65	85
3/4	20	70	80	95
1	25	80	90	105
1-1/4	32	90	105	125
1-1/2	40	90	120	135
2	50	100	140	155