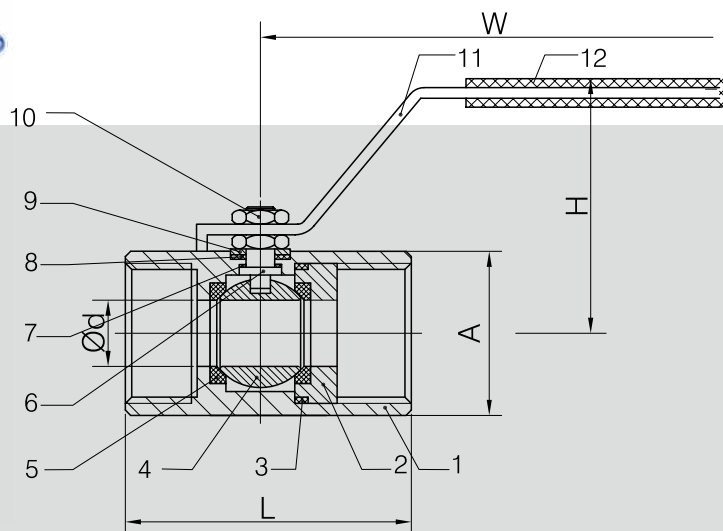


V-1A Hexagon Bar 1 Piece Ball Valve



- ⊙ Reduced bore,
- ⊙ Threaded ends: ANSI B2.1, BS21, D1, 1259/2999
- ⊙ Test : API598
- ⊙ Pressure rating: 2000PSI
- ⊙ Shell test: 20.71Mpa;
- ⊙ Pressure test: 0.6~0.8Mpa;
- ⊙ Dimension: DN8–DN50(1/4"~2")

Material list:

No.	Name	Material
1	Body	Carbon Steel
2	Cap	Carbon Steel
3	Gasket	PTFE
4	Ball	316
5	Seat	PTFE
6	Stem	316
7	Thrust washer	PTFE
8	Stem packing	PTFE
9	Gland	316
10	Nut	304
11	Handle	304
12	Handle sleeve	PLASTIC

Size	A	Φd	L	H	W	N-M	KGS
DN8	20	4.5	43	35	73	4	0.11
DN10	25	7	45	38	73	4	0.17
DN115	30	9	62	50	115	6	0.33
DN120	36	12.5	70	58	115	6	0.48
DN125	41	15	85.5	62	129	8	0.70
DN32	53	20	94	64	129	10	1.32
DN140	60	25	101	72	150	14	1.89
DN50	70	32	114	80	150	20	2.31